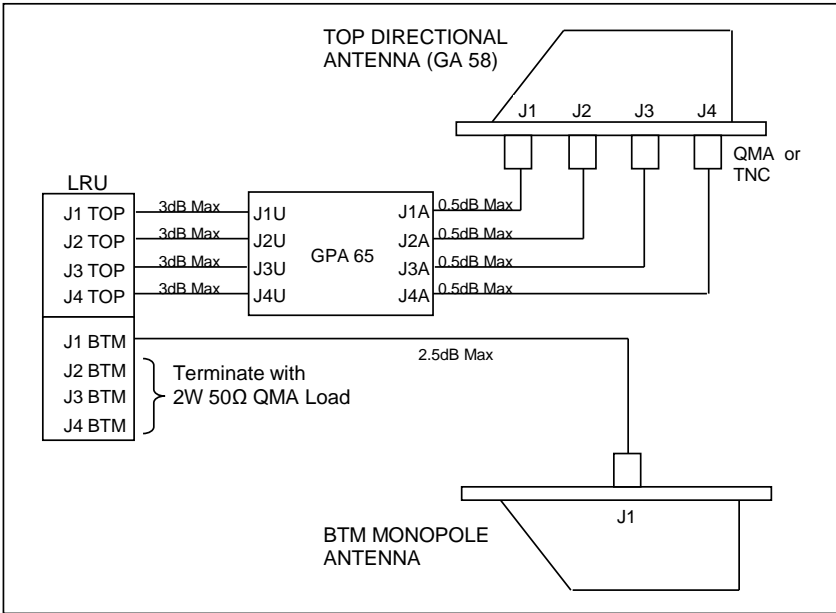


Cable (Test) Requirements :

Insertion Loss : 0.5 dB Max @ 1.09 GHz each ANT to GPA 65 cable.
 3 dB Max @ 1.09 GHz for each GPA 65 to LRU cable.
 2.5 dB Max @ 1.09 GHz for BTM ANT to LRU cable.

VSWR : 1.5:1 max @ 1.09 GHz for each ant. cable.

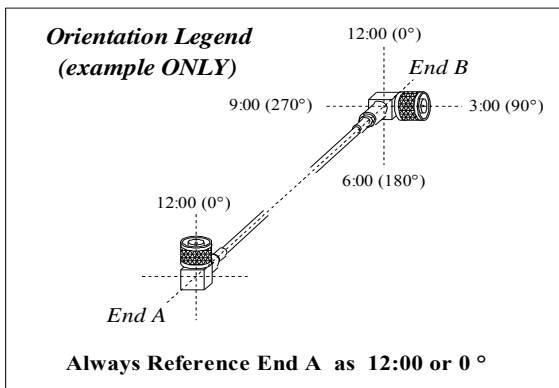
Note: Each set of 4 cables to be the exact same length.



Connector Orientation

(Assemblies with (2) 90° Connectors)

Configuration Depicted : End B is **3:00 or 90°** from end A.



UPPER ANT. CABLE INFO:

UPR ANT. TO GPA 65 CABLE LENGTHS : _____

CONN ANGLES/TYPE : @ UPR ANT _____ @ GPA 65: _____

GPA 65 TO LRU CABLE LENGTHS : _____

CONN. ANGLES: @ GPA 65 _____ @ LRU : _____

CONN. ORIENTATIONS: LRU to GPA _____ GPA to ANT. _____
 (See Below)

LOWER ANT. CABLE INFO:

LOWER ANT. CABLE LENGTH : _____

CONN. ANGLE/TYPE @ LWR ANT. : _____

CONN. ANGLE @ LRU : _____

CONN. ORIENTATION: _____
 (See Below)

QTY OF KITS: _____ (9 cables ea)

SPECIAL LABELING:

CUSTOMER INFORMATION:

CUSTOMER : _____

CONTACT : _____

PH # : _____

DATE : _____

NEED CABLES BY : _____

NEED QUOTE BY : _____