

A Division of the Angelus Corporation
 Ph (262) 246-0500 Fax (262) 246-0450 www.picwire.com
 PO Box 330 Sussex, WI 53089

Approved : PFT

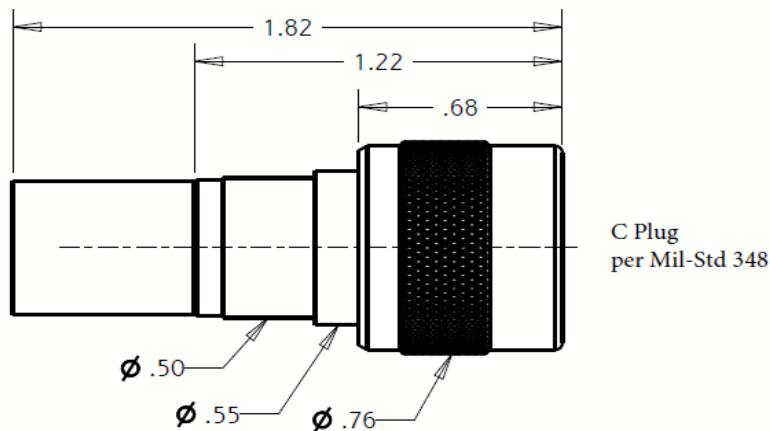
Date : 05/30/18

Rev. 3 (02/14/20)

Distribution : USER

Uncontrolled if Printed

C (50 Ohm) Straight Plug for UH22089



Features Not Shown : Gasket in Front

PERFORMANCE

| | |
|-------------------------|-----------------------------|
| Nominal Impedance : | 50 Ohms |
| Frequency Range : | 0 - 12 GHz |
| Voltage Rating : | 1000 V(rms) |
| Insulation Resistance : | 5000 Megohms |
| DW Voltage : | 3000 V (rms) |
| Insertion Loss (max) : | 0.17 dB max @ 12 GHz |
| Insertion Loss : | $0.05 \sqrt{F(\text{GHz})}$ |
| Temperature Rating : | -65° to +165° C |

CONNECTOR WEIGHT (Each)

1.37 ounces (38.78 grams)

RoHS COMPLIANT

Complies to RoHS Standards

INSTALLATION**Center Contact**

Solder Only

Crimp Ferrule

M22520 / 5-01 Tool

M22520 / 5-25 Die Set

(.429" A hex)

CONSTRUCTION**Materials:**

| | |
|---------------|--|
| Body | Brass, ASTM-B16, Alloy UNS 36000, H02 |
| Outer Contact | Beryllium Copper, ASTM-B196, Alloy UNS C17300 |
| Cable Contact | Brass, ASTM-B16, Alloy UNS 36000, H02 |
| Ferrule | Brass, ASTM-B16, Alloy UNS 36000, Dead Soft, Or Copper, ASTM-B152, Alloy C12200 |
| Dielectric | TFE Fluorocarbon, ASTM-D1710, Type 1, Grade 1 |
| Gasket | Silicone Rubber |

Finish :

| | |
|----------------|--------|
| Body, Ferrule | Nickel |
| Center Contact | Gold |

APPLICABLE STANDARDS

MIL-STD 348, MIL-PRF-39012

Notes :

1) A 2.0" piece of Raychem ATUM heat shrink
P/N ATUM-16/4-0 provided with connector for
purpose of strain relief & moisture protection.

2) Please refer to T-1504XX Termination Instruction
sheet for strip dimensions & instructions.