

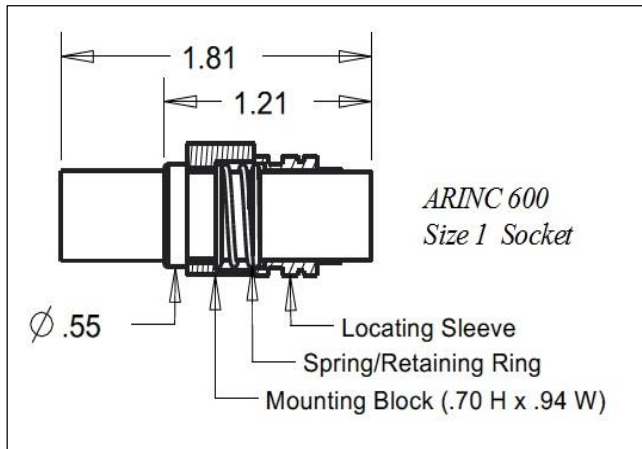
A Division of the Angelus Corporation
 Ph (262) 246-0500 Fax (262) 246-0450 www.picwire.com
 N220 W1051 Springdale Road, Waukesha, WI 53186

Approved : *JMS*
 Distribution : USER

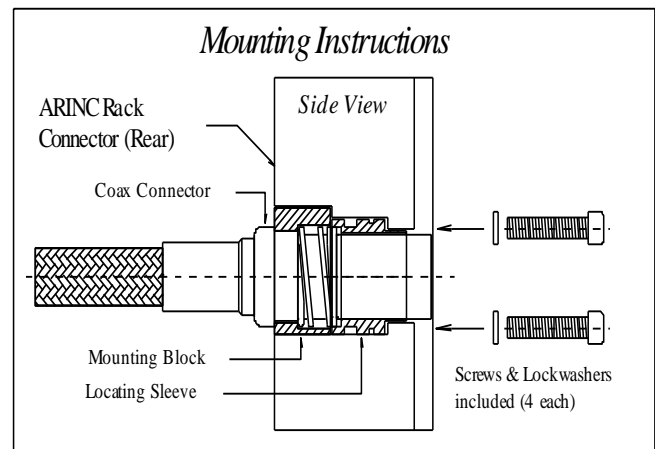
Date : 04/21/17
 Rev. 2 (07/21/22)
 Uncontrolled if Printed

ARINC 600 Size 1 Socket Contact

for UH22089



Note : Mounting Screws (4 ea), Lockwashers (4 ea) Included

**PERFORMANCE**

Nominal Impedance :	50 Ohms
Frequency Range :	0 - 5 GHz
Voltage Rating :	1000 V(rms)
Insulation Resistance :	5000 Megohms min.

CONNECTOR WEIGHT (Each)

1.51 ounces (42.87 grams)

RoHS COMPLIANT

Complies to RoHS Standards

INSTALLATION**Center Contact**

Solder Only

Crimp Ferrule

M22520 / 5-01 Tool
 M22520 / 5-25 Die Set
 (.429" A hex)

CONSTRUCTION**Materials:**

Body	Brass, ASTM-B16, Alloy UNS 36000, H02
Center Contact	Beryllium Copper, ASTM-B196, Alloy UNS C17300
Ferrule	Tellurium Copper, ASTM-B301, C14500, H02 Or D.H.P Copper CDA, Alloy 122, Temper Hard
Dielectric	TFE Fluorocarbon, ASTM-D1710, Type 1, Grade 1
Spring, Retaining Ring	Stainless Steel
Mounting Block	Aluminum, Alloy 6061 T6

Finish :

Body, Ferrule	Gold
Center Contact	Gold
Spring, Retaining Ring	Passivated
Mounting Block	Iridite

APPLICABLE STANDARDS

ARINC 600

Notes :

- 1) A 2.0" piece of Raychem ATUM heat shrink P/N ATUM-16/4-0 provided with connector for purpose of strain relief & moisture protection.
- 2) Please refer to T-1504XX Termination Instruction sheet for strip dimensions & instructions.