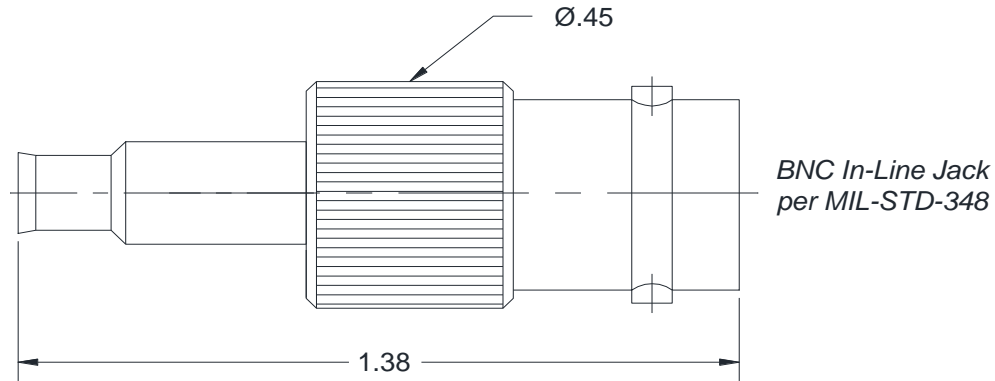


A Division of the Angelus Corporation  
 Ph (262) 246-0500 Fax (262) 246-0450 www.picwire.com  
 W220N1051 Springdale Road, Waukesha, WI 53186

Approved : *JDA*  
 Distribution : USER

Date: 4/27/2021  
 Rev.: 0  
 Uncontrolled if Printed

**BNC In-Line Jack***for S31601***PERFORMANCE**

Nominal Impedance : 50 Ohms  
 Frequency Range : 0 - 4 GHz  
 Voltage Rating : 500 V (rms)  
 Insulation Resistance : 5000 Megohms min.  
 Insertion Loss :  $0.12 \sqrt{F(GHz)}$

**CONNECTOR WEIGHT (Each)**

0.328 ounces ( 9.3 grams)

**RoHS COMPLIANT**

Complies to RoHS Standards

**INSTALLATION****Center Contact**

M22520/5-01 Tool  
 M22520/5-09 Hex Crimp Die  
 Cavity B (.068" Hex)

**Crimp Ferrule**

M22520/5-01 Tool  
 M22520/5-09 Hex Crimp Die  
 Cavity A (.178" Hex)

**CONSTRUCTION****Materials:**

Body	Brass
Dielectric	Delrin
Center Contact	Phosphor Bronze
Sleeve	Delrin
Ferrule	Brass

**Finish :**

Body	Nickel
Center Contact	Gold
Ferrule	Nickel

**APPLICABLE STANDARDS**

MIL-STD 348  
 MIL-PRF-39012

**Notes :**

- 1) A 1.0" piece of Raychem ATUM heat shrink P/N ATUM-8/2-0 provided with connector for purpose of strain relief & moisture protection.
- 2) Please refer to T-111134 Termination Instruction sheet for strip dimensions & instructions.