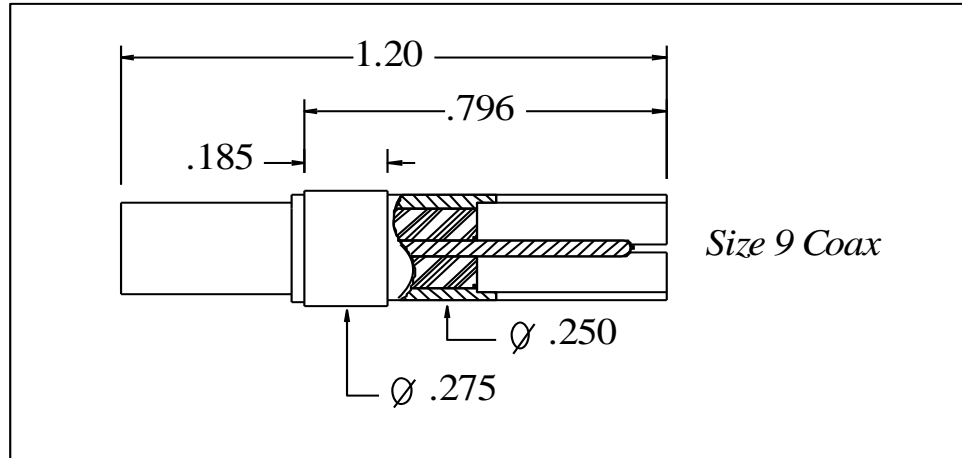


<b>PIC Wire &amp; Cable</b> <i>A Division of the Angelus Corporation</i> Ph 262-246-0500 Fax 262-246-0450 PO Box 330 Sussex, WI 53089	<b>Connector Specification</b>	<b>P/N 110237</b>
	Approved <i>MCT</i>	Date 09/18/00 Rev. 5 (06/26/13)
	Distribution : USER	Uncontrolled Document

**Size 9 Socket Contact**  
for V75268 / V76261 / V73263



**PERFORMANCE**

Nominal Impedance	50 Ohms
Frequency Range	0 - 500 MHz
Voltage Rating	500 VRMS
Insulation Resistance	5000 Megohms

**CONNECTOR WEIGHT (Each)**

.19 ounces (5.39 grams)

**RoHS COMPLIANT**

Complies to RoHS Standards

**INSTALLATION**

***Crimp Tooling:***

*Center Contact* M22520 / 2 - 01 Tool :  
Selector Dial @ # 5  
Recommended Positioner :  
PIC # 110245, (Daniels # K908)

*Crimp Ferrule* M22520/5-01 Tool :  
Die Set M22520 / 5 - 41  
Cavity B (.178" hex)  
PIC P/N 110333, (Daniels # Y140)

**CONSTRUCTION**

***Materials:***

Body	Beryllium Copper, ASTM-B196, Alloy UNS C17300
Center Contact	Brass, ASTM-B16, Alloy UNS 36000, H02
Ferrule	Brass, ASTM-B16, Alloy UNS 36000, Dead Soft
Dielectric	TFE Fluorocarbon, ASTM-D1710, Type 1, Grade 1

***Finish :*** Gold

***Applicable Standards*** MIL-C-81659

***Notes :***

*1) Please refer to T-1907XX Termination Instruction sheet for strip dimensions & instructions.*